

EVBox BusinessLine



Business charging solution

Up to 22 kW per connector

Charges 2 cars simultaneously on a double station


Durable, weatherproof design and integrated electrical protections


Efficiently distributes power via (dynamic) load balancing


Scalable to include up to 20 charging points per Hub-Satellite network


 Wi-Fi and 4G LTE connection


 MID-certified kWh meter

 Optional built-in RCBO

 6 mA DC leakage protection

 Tariff settings for public charging

 Remote maintenance

 Easy installation, service and maintenance

[evbox.com](https://www.evbox.com)



Technical features

Max charging capacity
Charge mode
Output power

Up to 22 kW per connector
 Mode 3 (IEC 61851)
 1-phase (32 A) or 3-phase (16 A or 32 A), 230V – 400V

Interfaces

Number of connectors
Connector type
Information status
Session activation

1 or 2
 Type 2 sockets (with shutter option)
 LED ring
 RFID / QR code / Autostart

Safety and connectivity

Electrical safety

CCID 6 mA DC leakage protection per outlet/ Optional RCBO 16A or 32A with 30 mA AC leakage detection per outlet

Maximum cluster size

10 double stations or 20 single stations (20 connectors)

Mobile connectivity - Hub

4G LTE-FDD CAT1 (B1/3/7/8/20) / 3G WCDMA (Band 1/8) / GSM (900/1800 Mhz)
 Wi-Fi, Bluetooth 4.0 for configuration with the EVBox Connect app, GPS

Connectivity - Hub

Time synchronization - Hub

GPS / Wi-Fi

Communication protocol - Hub

OCPP 1.5 S / 1.6 S / 1.6 J

Enclosure rating

IEC 60529 / IP45 / IK08

Collision detection

Tilt sensor

Operating temperature

-25°C to +50°C

Operating humidity

Max. 95% RH, non-condensing

Storage temperature

-25°C to +60°C

Storage humidity

Max. 95% RH, non-condensing

Safety and compliance

CE certified, RED Directive 2014/53/EU, EMC Directive 2014/30/EU, Low Voltage Directive 2014/35/EU, RoHS Directive 2011/65/EU (as amended by 2015/863/EU), EN/IEC 61851-1 (2017), EN/IEC 61851-21-2 (2018), EN/IEC 61000-32 (2014), EN/IEC 61000-3-3 (2013), EN 301 489-1 V2.2.0, EN 301 489-3 V2.1.1, EN 301 489-17 V3.2.0, EN 301 489-52 V1.1.0, EN 301 908-1 V11.1.1, EN 301 511 V12.5.1, EN 300 330 V2.1.1, EN 300 328 V2.1.1, EN 301 893 V2.1.1, EN 300 220-1 V3.1.1, EN 300 220-2 V3.1.1

Metering

S-Bus MID certified class B

Smart energy management

Adjusting max. current, charging profiles, dynamic load balancing (via MAX protocol)

Physical properties

Dimensions, mm (H x W x D)

600 x 255 x 205 mm (single socket)

600 x 255 x 410 mm (double socket)

Weight

10kg excluding packaging (single connector)

12 kg excluding packaging (double connector)

Mounting

Wall or pole

Housing

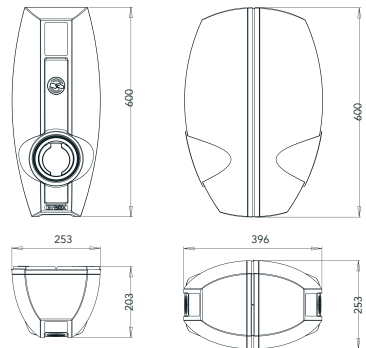
Polycarbonate

Cover colors

RAL 7016 (dark grey), RAL 9016 (white), RAL 5017 (blue)

Copyright © 2021 EVBox Manufacturing B.V. EVBox® and the EVBox logo are registered trademarks. All rights reserved. EVBox has compiled this document to the best of its knowledge but does not warrant that all information provided is error-free; EVBox does not accept liability in that respect. All specifications are approximates only. The limited warranty conditions are stated in the applicable EVBox general terms and conditions. EVBPL_BL_EN_112021 © EVBox Manufacturing B.V. EVBox Manufacturing B.V.

EVBox Manufacturing B.V.
 Kabelweg 47
 1014 BA Amsterdam
 The Netherlands
evbox.com/support



Dimensions in mm